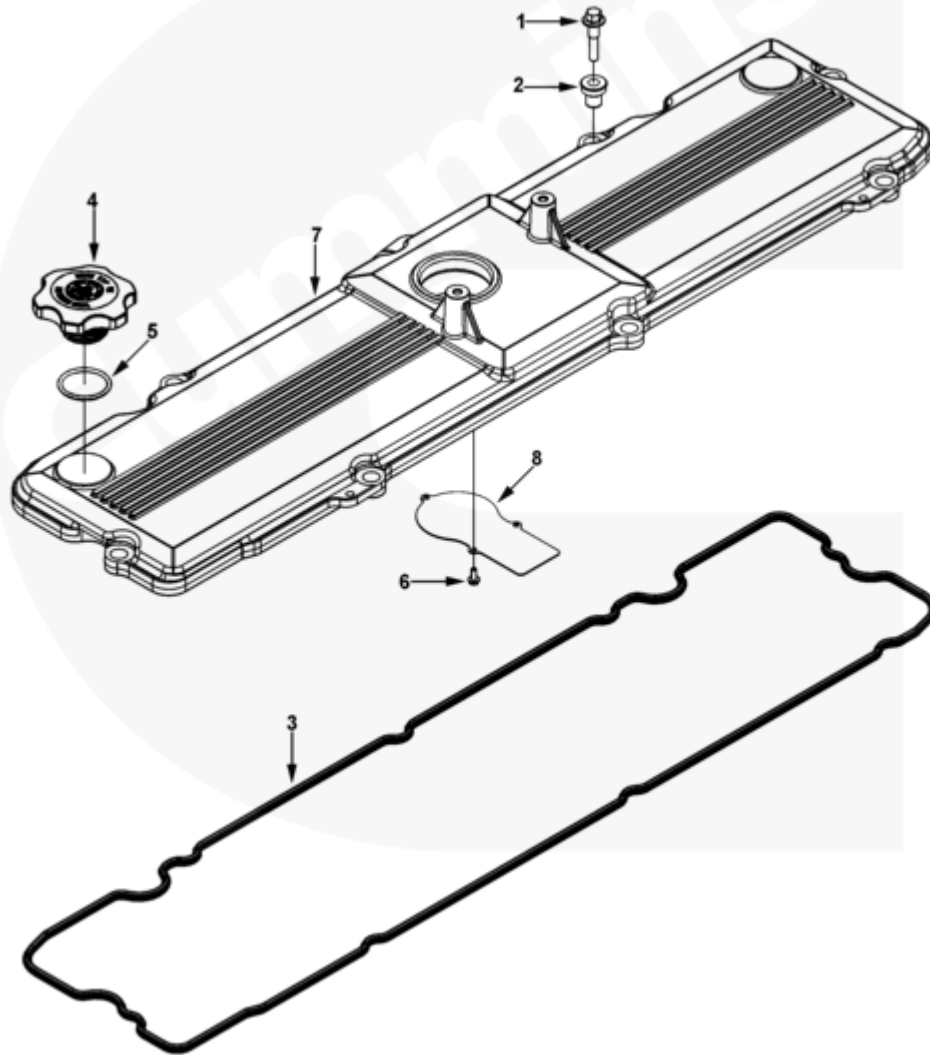




## Parts Catalog - Option Detail

Electronic Parts Catalog - Option Detail				
Option	Group	Graphic	Film Card	Date
VC9323	03.01.1	vc954gi	Z	27-JUN-05
Engines	6C8.3, C GAS PLUS CM556, G8.3, G8.3 CM558, GTA8.3 CM558, ISC CM2150, ISC CM554, ISC CM850, ISC8.3 CM2250, ISC8.3 G CM2180 C101, ISL CM2150, ISL CM554, ISL CM850, ISL G CM2180, ISL8.9 CM2150 L110, ISL8.9 CM2880 L112, ISL9 CM2150 SN, ISL9 CM2250, ISL9 CM2350 L101, ISL9 CM2350 L111, ISLE4 CM850, L GAS PLUS CM556, L8.9, L8.9 L121, L8.9G CMOH2.0 L125B, L9 CM2350 L116B, L9 CM2350 L119B, L9 CM2350 L120C, L9 CM2350 L123B, L9.3 L105, L9.5 L117, L9N CM2380 L124B, QSC8.3 CM2250, QSC8.3 CM2880 C102, QSC8.3 CM554, QSC8.3 CM850(CM2850), QSL9 CM2250, QSL9 CM2250 L115, QSL9 CM2350 L102, QSL9 CM2350 L107, QSL9 CM2350 L118, QSL9 CM2350 L122, QSL9 CM554, QSL9 CM850(CM2850), QSL9 G CM558, QSL9 M CM2250 L106, QSL9.3 CM2880 L113			



vc954gi

SMALL | MEDIUM | LARGE

Cart	Ref No	Part Number	Part Description	Required	Remarks
<a href="#">View My Cart</a>					
		<a href="#">VC9323</a>	Valve Cover		<a href="#">MR - COVER, VALVE...(More)</a>
					Engine Family: C and L
					Series
					Engine Design Phase: Pegasus
					Oil Fill Provisions: Yes
					Oil Fill Location: Front
					- Centerline of Crank to
					Centerline of Filler
					(mm): TBD
					- Centerline of Engine to
					Centerline of Filler
					(mm): -25
					Front Face of Block to
					Centerline of Filler
					(mm): -80
					Noise Supression Provision:
					Yes
					Valve Cover Color: Base
					Engine
					Isolated Gasket System: Yes
					Integrated Breather: Yes
					Engine Compression Brake
					Compatible: No
					Logo: Cummins
<input type="checkbox"/>	1	<a href="#">3900632</a>	Hexagon Flange Head Cap Screw	8	M8 X 1.25 X 35.
<input type="checkbox"/>	2	<a href="#">3959799</a>	Vibration Isolator	8	
<input type="checkbox"/>		<a href="#">3967770</a>	Valve Cover	1	Purchase Individual Parts

<input type="checkbox"/>	3	<a href="#">3959798</a>	Valve Cover Gasket	1	
<input type="checkbox"/>		<a href="#">3968202</a>	Cap Filler	1	
	4	<a href="#">3968283</a>	Filler Cap	1	Service As 3973511
<input type="checkbox"/>	5	<a href="#">3990084</a>	O-Ring Seal	1	
<input type="checkbox"/>		<a href="#">3970865</a>	Valve Cover	1	
<input type="checkbox"/>	6	<a href="#">3931532</a>	Self Tapping Metal Screw	3	
<input type="checkbox"/>	7	<a href="#">3967462</a>	Valve Cover	1	Service As 3970865
<input type="checkbox"/>	8	<a href="#">3967524</a>	Breather Baffle	1	Must Buy Cover Assembly

© 2019 Cummins Inc., Box 3005, Columbus, IN 47202-3005 U.S.A.  
Terms of Use and Disclaimers | Recommended System Requirements  
Need Assistance? Please click on the Contact Us button in the top right corner of any page.